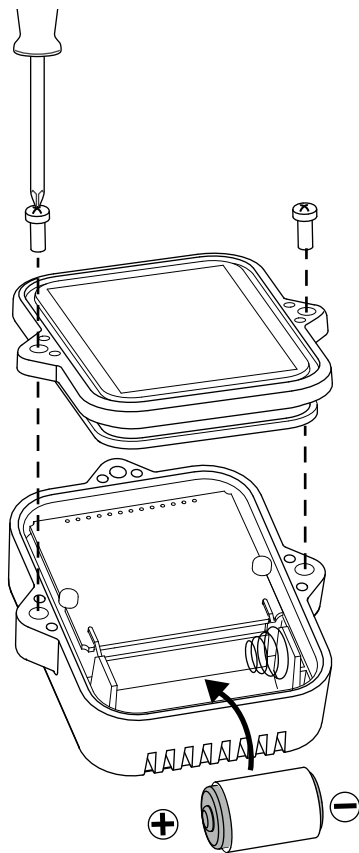
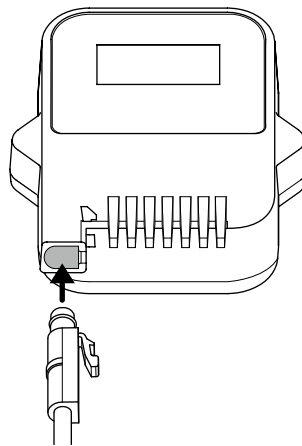
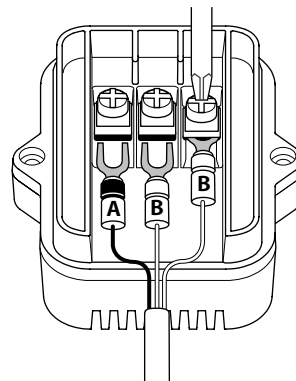
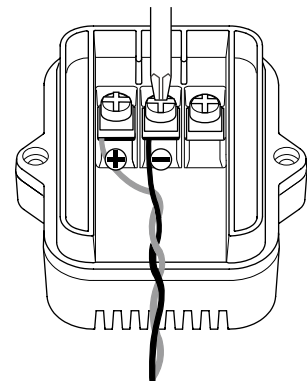


## Package Contents

- Data Logger (TR41/42/45) • Lithium Battery LS14250 • Registration Code Label • Strap
- User's Manual • Warranty
- Temperature Sensor TR-5106 (TR42 only) • Cable Clamp (TR45 only)

## Device Setup

**Battery Installation****TR42 Sensor Connection****TR45 Pt Sensor Connection****TR45 TC Sensor Connection**

## Application Installation

Install the dedicated app(s) on your smartphone or tablet to perform TR4 operations via Bluetooth.

- **ThermoREC** : App for making logger settings, monitoring data in graph view and uploading to the cloud.
- **ThermoStorage** : App for uploading recorded data from a collection of loggers to the cloud.
- **TR4 Report** : App for creating PDF reports of specified periods of recorded data.

Each application is available for download from Google Play and App Store.

For detailed information and troubleshooting, please access the following URL:

[tandd.com/support/webhelp/tr4/eng/](https://tandd.com/support/webhelp/tr4/eng/)



## Safety Precautions and Instructions

The following items should be strictly obeyed for the safe usage of this product, and for protecting yourself and other people from bodily harm and/or damage to property.

### Explanation of Symbols

#### Warning Symbols

	<b>DANGER</b>	These entries are actions that absolutely under no circumstance should be taken. The taking of such an action may cause serious personal physical damage or death.
	<b>CAUTION</b>	These entries are actions that if taken may lead to physical injury or damage to persons or things.

#### Picture Symbols

	Denotes an important warning or caution.		Denotes a forbidden action.		Denotes an action that should be carried out.
--	--	--	-----------------------------	--	---

### **DANGER** To Prevent Serious Accidents

- Do not disassemble, repair or modify the unit.
- Do not use the unit in any environment that is exposed to chemicals and harmful gases. Doing so may cause corrosion and/or other danger to the unit. Also, coming in contact with hazardous substances may cause bodily harm to the user or people nearby.
- If water or a foreign substance enters the case, this may cause malfunction, damage, and/or unexpected accidents. If this occurs, immediately remove the battery and stop using the unit. If the unit is subjected to significant temperature change while wet, it may cause condensation inside the case.
- Do not handle the unit, remove the battery or sensor with wet hands.
- This product has been designed for private and/or industrial use only. It should not be used in situations where strict safety precautions are necessary such as with medical equipment, or in systems directly or indirectly connected with human life or well-being.
- Do not drop or expose the unit to a strong impact.
- Do not cut or process the sensor cables. Also, do not twist, pull or swing any of the cords or cables.
- To prevent damage to the unit from static electricity, remove static electricity from your body by touching metal around you (such as a door knob and window frame) before touching the unit.
- Store the unit and battery out of the reach of children.
- We are not responsible for any damage, malfunction or trouble, whether direct or indirect, caused by the use of our product.
- Do not use any power or sensors other than those specified by T&D Corporation.
- Make sure the sensor is inserted fully, so as not to cause an improper connection. Also, when unplugging the sensor from the unit, do not pull the cord, but hold the connector to disconnect.
- If the unit produces heat, emits smoke or a strange smell, or makes unusual noise, immediately remove the battery and stop using it.
- To maintain waterproof capacity, we suggest periodically changing the parts inside the case (Optional Maintenance Set TR-00P1).
- Contact with oil may cause cracks to appear in the casing of the unit. When using this unit in environments where such oils are present, please insure that it is protected from contact through use of a polyethylene bag or other means.
- Do not remove or reinsert the battery once it has been set; continue using until battery power is depleted. Always use a new battery for replacement.

### **CAUTION** Do not place or store in the following areas:

- Areas exposed to direct sunlight
- Areas subject to direct flames or heaters, as well as areas in which hot air accumulates and creates extremely high temperatures
- Areas exposed to static electricity
- Areas exposed to strong magnetic fields
- Areas exposed to dampness
- Areas subject to condensation or wet areas
- Areas exposed to excessive vibration
- Areas exposed to excessive smoke, dust or dirt.

### **CAUTION** Other Precautions

- Use the unit and the sensor in the specified operating environment, and do not use in any other purposes than those intended.
- If the unit is not to be used for a long period of time, remove the battery. If left in the unit, the battery may leak and lead to malfunctioning.
- Do not allow dust or foreign objects to get into the sensor jack.
- If the unit gets dirty, wipe it with a clean cloth.
- Battery terminals may provide insufficient contact due to age or vibration. This may lead to data loss.
- Please note that this User's Manual has been written based on the presupposition that details about set-up of any necessary mobile devices to enable network connection have already been taken care of by the user and that connection has been confirmed as workable. T&D Corporation shall not be responsible for any damages which a contractor, a user or a third party may suffer, whether direct or indirect, due to the inability to communicate or use communication devices.
- Please be careful not to let a third party know of your registration code. The registration code cannot be reissued or changed.

## Compliance Information

### For FCC Model

#### FCC and IC Statement

This device complies with Part 15 of FCC Rules and Industry Canada licence-exempt RSS standard(s). Operation is subject to the following two conditions: (1) this device may not cause interference, and (2) this device must accept any interference, including interference that may cause undesired operation of this device.

Le présent appareil est conforme aux la partie 15 des règles de la FCC et CNR d'Industrie Canada applicables aux appareils radio exempts de licence. L'exploitation est autorisée aux deux conditions suivantes : (1) l'appareil ne doit pas produire de brouillage, et (2) l'utilisateur de l'appareil doit accepter tout brouillage radioélectrique subi, même si le brouillage est susceptible d'en compromettre le fonctionnement.

#### FCC Class B Statement

This equipment has been tested and found to comply with the limits for a Class B digital device, pursuant to Part 15 of the FCC Rules. These limits are designed to provide reasonable protection against harmful interference in a residential installation. This equipment generates, uses and can radiate radio frequency energy and, if not installed and used in accordance with the instructions, may cause harmful interference to radio communications. However, there is no guarantee that interference will not occur in a particular installation. If this equipment does cause harmful interference to radio or television reception, which can be determined by turning the equipment off and on, the user is encouraged to try to correct the interference by one or more of the following measures:

- Reorient or relocate the receiving antenna.
- Increase the separation between the equipment and receiver.
- Connect the equipment into an outlet on a circuit different from that to which the receiver is connected.
- Consult the dealer or an experienced radio/TV technician for help.

To comply with the limits for the Class B digital device, pursuant to Part 15 of the FCC Rules, this device must be installed in computer equipment certified to comply with the Class B limits. All cables used to connect the computer and peripherals must be shielded and grounded. Operation with non-certified computers or non-shielded cables may result in interference to radio or television reception.

#### FCC Caution:

- Changes or modifications not expressly approved by the party responsible for compliance could void the user's authority to operate the equipment.

#### IC Class B Statement

This Class B digital apparatus complies with Canadian ICES-003.

Cet appareil numérique de la classe B est conforme à la norme NMB-003 du Canada.

#### FCC/IC Radiation Exposure Statement

This equipment complies with FCC/IC radiation exposure limits set forth for an uncontrolled environment and meets the FCC radio frequency (RF) Exposure Guidelines and RSS-102 of the IC radio frequency (RF) Exposure rules. This equipment has very low levels of RF energy that is deemed to comply without maximum permissive exposure evaluation (MPE). This transmitter must not be co-located or operated in conjunction with any other antenna or transmitter.

Cet équipement est conforme aux limites d'exposition aux rayonnements énoncées pour un environnement non contrôlé et respecte les règles les radioélectriques (RF) de la FCC lignes directrices d'exposition et d'exposition aux fréquences radioélectriques (RF) CNR-102 de l'IC. Cet équipement émet une énergie RF très faible qui est considérée comme conforme sans évaluation de l'exposition maximale autorisée (MPE).

#### Location of FCC ID and IC Certification Number

The FCC ID and IC ID can be found inside the battery compartment of your device.

### For CE Model

#### CE Statement

The TR4 Series products are in compliance with the Radio Equipment Directive 2014/53/EU.

The following standards have been applied:

- < Safety and Health > EN 60950-1
- < EMC > EN 62479  
EN 301 489-1  
EN 301 489-17
- < Radio Spectrum > EN 300 328 ( receiver category 1 )

The full text of the EU declaration of conformity is available at the following internet address:

<https://tandd.com/manual/pdf/doc-tr4.pdf>

### Important Notice

Wireless products cannot be used in countries other than where those products have been approved for use, according to that country's wireless regulations.

T&D Corporation shall in no manner whatsoever take responsibility for the usage of these products, nor be liable in any manner for legal consequences stemming from the usage of these wireless products in unapproved areas.

#### 사용자 안내문

이 기기는 업무용 환경에서 사용될 목적으로 적합성평가를 받은 기기로서 가정용 환경에서 사용하는 경우 전파간섭의 우려가 있습니다.

取得審驗證明之低功率射頻器材，非經核准，公司、商號或使用者均不得擅自變更頻率、加大功率或變更原設計之特性及功能。

低功率射頻器材之使用不得影響飛航安全及干擾合法通信；經發現有干擾現象時，應立即停用，並改善至無干擾時方得繼續使用。

前述合法通信，指依電信管理法規作業之無線電通信。

低功率射頻器材須忍受合法通信或工業、科學及醫療用電波輻射性電機設備之干擾。

## 電波法に関するご注意

本製品は、電波法に基づく特定小電力無線機器として、技術基準適合証明（利用に関してはお客様の免許申請等（不要）を受けています。必ず次の点を守ってお使いください。

- 分解・改造をしないでください。分解・改造は法律で禁止されています。
- 技術基準適合ラベルははがさないでください。ラベルのないもの使用は禁止されています。

### Bluetooth® low energy の電波に関して

本製品における Bluetooth low energy の使用周波数帯では、電子レンジ等の産業・科学・医療用機器のほか工場の製造ライン等で使用されている移動体識別用の構内無線局（免許を要する無線局）及び特定小電力無線局（免許を要しない無線局）並びにアマチュア無線局（免許を要する無線局）が運用されています。

1. 本製品を使用する前に、近くで移動体識別用の構内無線局及び特定小電力無線局並びにアマチュア無線局が運用されていないことを確認して下さい。
2. 万一、本製品から移動体識別用の構内無線局に対して有害な電波干渉の事例が発生した場合には、速やかに使用周波数を変更するか又は電波の発射を停止した上、下記連絡先にご連絡頂き、混信回避のための処置等（例えば、パーティションの設置など）について相談して下さい。
3. その他、本製品から移動体識別用の特定小電力無線局あるいはアマチュア無線局に対して有害な電波干渉の事例が発生した場合など何かお困りのことが起きたときは、弊社までお問い合わせ下さい。オンラインサポート [tandd.com.jp/support/](https://tandd.com.jp/support/)

### 電波の種類と干渉距離



- 2.4 使用周波数帯域：2.4GHz 帯
- FH 変調方式：FH-SS 方式
- 3 想定干渉距離：30m 以下
- 全帯域を使用し、かつ移動体識別装置の帯域を回避不可

Bluetooth® のワードマークおよびロゴは、Bluetooth SIG, Inc. が所有する登録商標であり、株式会社ティアンドデイはこれらのマークをライセンスに基づいて使用しています。

The Bluetooth® word mark and logos are registered trademarks owned by Bluetooth SIG, Inc. and any use of such marks by T&D Corporation is under license.